

460-500W ERP2U PS2 Mini Redundant Power Module

ERP2U PS2 Mini Redundant Power Module

EFRP-S502 SERIES

- Compliant with 80Plus Bronze Level
- Mini Redundant Form Factor
- Input Frequency: 47-63Hz
- N+1 Redundant Solution
- Active power factor correction
- High Efficiency 85% at 50 % Load
- With High Reliability cooling Fan
- Support hot swap
- Support PMBus
- Power Status indication with SMB Alert Signal



Dimension(W x H x D):

ERP 2U: 150 x 85 x190 (mm) / 5.91 x 3.35 x 7.48 (inch)

Module: 122 x 40 x 152.5 (mm) / 4.80 x 1.57 x 6.00 (inch)

Total Power: 90-264Vac: 460 - 500W



SPECIFICATIONS & SELECT GUIDE

WATT	MODEL NAME	INPUT		OUTPUT					REDUNDANT PSU
		Voltage	Current	Maximum Load					
				+3.3V	+5V	+12V	-12V	+5VSB	
460W	EFRP-462	100-240Vac±10%	8~4A	--	--	30A	--	2A	EFRP-2462
500W	EFRP-S502	100-240Vac±10%	8~4A	--	--	41A	--	2.5A	EFRP-S2502

GENERAL SPECIFICATIONS

Hold up time	20mS
Efficiency	85% @ 50% Load
MTBF	100K hours at 25 degree C (minimum)

460-500W ERP2U PS2 Mini Redundant Power Module

ERP2U PS2 Mini Redundant Power Module

ENVIRONMENTAL SPECIFICATIONS

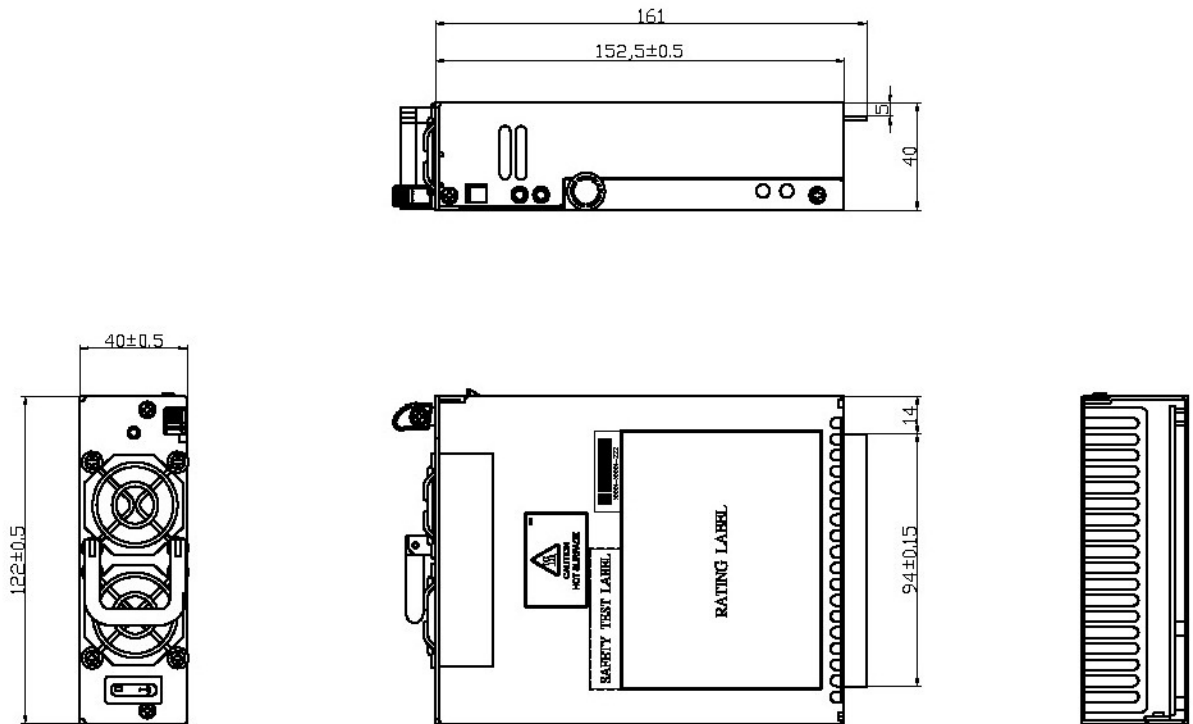
Temperature	0~50°C Operating
Humidity	20~90% Operating
Altitude	5000M(16,404ft)

SAFETY & EMC/EMIC SPECIFICATIONS

EMC	FCC/CE class A ; EN61000-3-2
	EN61000-4-2,3,4,5,6,8,11
Safety	IEC/EN 60950-1; TUV/UL/CCC (CB)

*Note: Refer to product SPEC

MECHANICAL DRAWING



Dimension(W x H x D): 122 x 40 x 152.5 (mm)