

# USER'S MANUAL

## Line Interactive UPS 650VA / 325Watts Step-Sine Wave

Thank you for purchasing our Office UPS product. Please read the **USER'S MANUAL** before using the UPS product.

The UPS will protect your computer hardware from physical damage and will provide emergency battery backup power to prevent data loss in the event of power problem.

### Features

- Smart Microprocessor Control.
- Automatic Voltage Regulation for Low Input Line.
- Overload and over voltage protection.
- USB Connectivity.
- DC direct starts up capability, complete diagnostic indication and control.
- Intelligent Battery Management.
- EMI/RFI Noise Filter.
- Lightning and Surge Protection.
- Fax/Modem Surge Suppression Port.
- Coaxial Surge Protection (Optional).

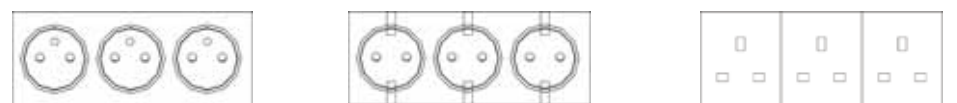
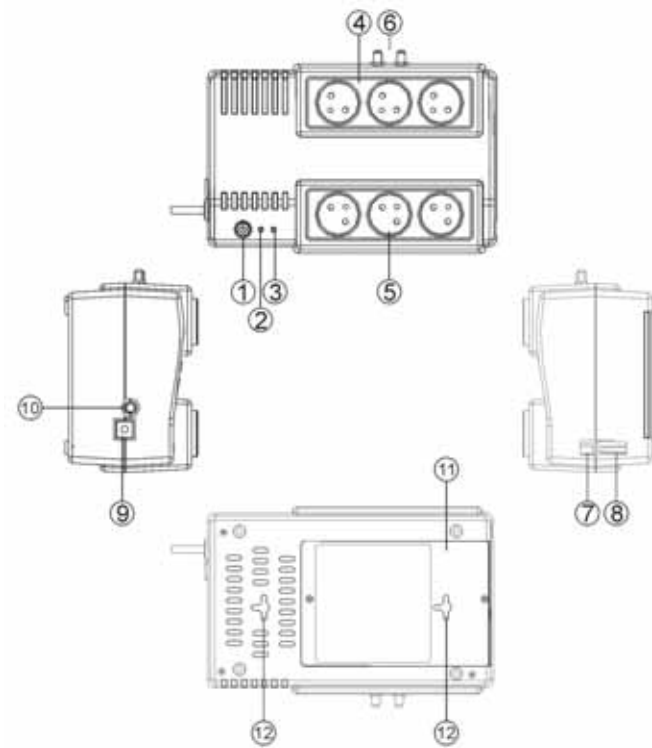
## Installation

The UPS can protect your equipment from all power problems such as surge, spikes, blackouts, brownouts and line noise. When AC power is present and the ON/OFF switch is turned on, the UPS is always charging the battery and providing the power to the equipment from AC line directly. The reliable battery can provide the stable power to complete your work, save the data and safely shut down your system when the utility power is blackout.

The UPS is simple to operate and install. Following is the step of installation before the equipment connects to the UPS.

1. Connect the UPS to grounded AC power Outlets.
2. Please turn on the ON/OFF switch and charge the battery at least **8 hours** for fully charge before you use the UPS.
3. Plug your computer and monitor into the "Battery Backup & Surge Protection" outlets. (These outlets will provide emergency battery backup power during power problems as well as surge protection from surge and spike.)  
**CAUTION:** Do **NOT** plug **LASER PRINTERS** into any of the "Battery Backup & Surge Protection" or "Surge Protection" outlets.  
**CAUTION:** Do **NOT** plug **ACCESSORY SURGE** strip into any of the "Battery Back & Surge Protection" outlets.
4. Connect the USB cable to your computer.
5. Plug your peripheral equipment (printer, scanner, fax, speaker, etc.) into the "Surge Protection" outlets. (These outlets will **NOT** provide battery backup power during a utility power failure.
6. Connect the fax/modem lines to the UPS phone jacks.
7. Turn on the UPS.

## Indicators



**NOTE:** This UPS supply French, German and British outlets.

### 1. ON/OFF Switch

This ON/OFF switch controls power to all of the outlets on the UPS.

### 2. AC Normal / On Battery / Boost Mode LED (Green)

Indicate the utility power is normal / UPS on battery or boost mode (flashing).

### 3. UPS Abnormal LED (Red)

Indicate the UPS output overload / UPS charger Failure / Replace Battery.

### 4. Battery Power & Surge Protection Outlets

The three outlets not only provide full time surge protection but also provide emergency battery backup power during the utility power failure such as a blackout or brownout.

### 5. Surge Protection Outlets

The three outlets provide full time protection from surge and spike. Plug your peripheral equipments that do not require power during the utility power failure. Such as printers, scanners, fax machines, or speakers.

### 6. Coaxial Surge Protection (Optional)

Provides protection for cable / satellite inputs.

### 7. USB Port

Built-in USB port connects to your computer. Provide the automatic shutdown with software with USB cable to automatically save the files and shut down the equipments if the utility power is failure. Your personal computer can receive the status as utility power line, utility power failure, on battery and low battery by contact closure signals that are sent through the USB port.

**NOTE:** This connection is optional; your UPS will operate normally without this connection.

### 8. Phone / Fax / Modem / Internet Surge Protection Port

The RJ11/45 jacks can provide protection against surge and spike on you phone or Internet line.

### 9. Power Cord

Connect to the input utility power through the power cord.

### 10. Input Circuit Breaker

Protect against overload.

### 11. Battery Replacement cover

Slide the cover off you can replace the battery. Please refer to the following steps to replace the battery.

- Lay down the UPS and use the screwdriver to open the battery cover on the bottom of the UPS.
- Grasp the tab attached to the battery and slide the battery out.



### 12. Walls Mount Holes

Use the wall mount holes that you can mount UPS to the wall.

## Audible / Visual Indicators

|    |       |    |       |       | Alarm                | UPS Status Indication |
|----|-------|----|-------|-------|----------------------|-----------------------|
| On | X     | X  | X     | X     | X                    | AC Mode               |
| X  | Blink | X  | X     | X     | X                    | Boost Mode            |
| X  | X     | On | X     | X     | Constant On          | UPS/Battery fault     |
| X  | X     | X  | Blink | X     | 1 beeps @ 4 sec      | DC Mode               |
| X  | X     | X  | X     | Blink | Beep intermittently* | Overload              |

\*AC Mode

2 beeps @ 1 second for 105% and 2 beeps @ 0.5 seconds for 130%. After 2 minutes, UPS will shutdown automatically.

\*DC Mode

2 beeps @ 1 second for 105%. After 20 seconds, UPS will shutdown automatically. Or, immediately shutdown for 130

## Safety Instructions

Once you have received the UPS product, you should remove and inspect the product for shipping damage. If any damage is found, please notify the carrier and your dealer. You have to keep the shipping carton and the packing foam in case the product must be returned to the factory for service.

### SAFETY INSTRUCTIONS

- Place the UPS indoors in an area that has adequate airflow and is free excessive dust. Do **NOT** allow the UPS to be exposed to moisture, rain, excessive heat or direct sunlight.
- Use of the UPS product in life support applications where failure of this equipment can reasonably be expected to cause failure of life support equipment or to significantly affect its safety or effectiveness is **NOT** recommended.
- Please always disconnect the input power cord from the wall outlet before replacing the battery.
- Do **NOT** dispose of battery in a fire. The battery may explode.
- Do **NOT** open or mutilate the battery. They contain an electrolyte that is toxic and harmful to the skin and eyes.
- Proper disposal of battery is required. Please refer to your

local laws/regulations regarding to battery disposal.

- Using tools with insulated handles to replace the battery to avoid personal injury. Due to energy hazard, please remove wrist watched and jewelry such as rings when replacing battery.

## Troubleshooting

| Symptom   | Possible Cause  | Action to Take   |
|---|---|--|
| UPS can not turn on.  | On/Off switch not pushed completely.                          | Press and hold the On/Off switch for 3 sec. Or until you hear a beep sound.  |
|   | Battery voltage is too low.                                   | Call for service.  |
| UPS always at battery mode.                                 | Power cord loose.   | Re-plug the power cord firmly.   |
|   | Circuit breaker tripped.                                      | Remove some loads and reset circuit breaker.   |
|   | Line voltage too high or too low.                             | Check input voltage.   |
| UPS is normal but the computer won't turn on                | Computer input power cord is loose or not connected.          | Reconnect computer input power cord  |
| Connected equipments lose power while connected to the UPS. | The "Battery Backup & Surge Protection" outlets are overload. | Refer to the Symptom overload. Remove the non-critical loads and start the UPS again.  |
|   | The UPS has exhausted its available run time.                 | The UPS will turn off when the battery has been depleted during the failure of utility power. Allow UPS to re-charge before continuing using of the UPS. |
|   | Connected equipment is connected to the wrong outlet.         | Ensure the equipment that you want to stay powered during a failure of utility power is plugged into the "Battery Backup & Surge Protection" outlets.    |
|   | The UPS may be faulty.  | Call for service.  |

## Specification

| Model                                | Office XP 650 Series   |
|--------------------------------------|--|
| Capacity                             | 650VA / 325W   |
| Nominal Input Voltage                | 230Vac   |
| Input Voltage Range                  | 172~272Vac   |
| Nominal Output Voltage               | 230Vac   |
| Output Voltage Range at Line         | +18% ~ -15%  |
| Output Voltage Range at Battery Mode | ±10%   |
| Frequency                            | 50 / 60 Hz Auto sensing  |
| Outlets                              | 6 Outlets (3 Battery Backup & Surge Protection; 3 Surge Protection only) |
| Lighting / Surge Protection          | 480 Joules   |
| Transfer Time to Battery/AC          | < 4 mS   |
| Battery Type                         | Sealed and leak proof maintenance free lead-acid battery                 |
| Battery Specification                | 12V/7AH x 1  |
| Typical Backup Time                  | 10 ~ 15 min  |
| Internet / Phone / Fax Protection    | RJ11/ RJ45 (1 in / 1 out)  |
| Coaxial Surge Protection             | 1 in / 1 out (Optional)  |
| Communication Port                   | USB  |
| Operation Temperature                | +32 ~ 104 (0 ~ 40 )  |
| Operation Relative Humidity          | 0 to 95% non-condensing  |
| Storage Temperature                  | +5 ~ 113 (-15 ~ 45 )   |
| Net Weight                           | 13.9 lbs / 6.3 kg  |
| Dimensions (DxWxH)                   | 272x174x112mm  |
| Agency Approval                      | CE   |

\* Specification change without notice.